



## Chameleon® Multi-Status Indicator

*PLC Compatible, DeviceNet™*

### 108 & 108-DN Series

#### FEATURES

- > 120,000 hr. LED light sources
- > PLC compatible
- > DeviceNet models available
- > 3 visual LED signals in one compact housing
- > Two stack capability for a fourth visual signal
- > Multi-tone base module option
- > Multiple LED clusters in red, green and amber or red, blue and amber
- > Molded-in gasketed lens modules for dust tight reliability
- > Vibration resistant heavy duty industrial design
- > Mounting flange and 4", 10" and 15" mounting pipes available

The Chameleon is designed to function as either a steady or flashing visual signal. It is designed such that any or all three lights can be activated by a PLC or contact closure. The first light activated will illuminate either steady or flashing (set by an internal jumper). If a second light is activated, the Chameleon cycles between the two colors. A third activation causes the Chameleon to cycle between all three colors: red, amber, and green or red, amber, and blue. One additional lens module and light source – strobe, halogen, incandescent or LED – can be added for a fourth signal.

The 108-DN Series Multi-Status Indicator utilizes the same DeviceNet interface as the 102 Series Trilights Stacklight. It has been tested by ODVA's authorized independent test lab and complies with ODVA conformance test and software.

The 108I Series features a multi-tone base module that allows the installer to select one of the following eight available tone options: stutter beep, continuous, 3 pulse horn, rapid siren, hi/lo, fast whoop, yeow and beep. The selected tone can be operated as an additional signal or used in conjunction with any of the visual signals. The signal is rated at 85 dB at 5 feet (1.63m). The 108-DN features the same eight tones but allows all to be activated over the DeviceNet network. The 108 is also available without tone capability in direct surface and 2 inch (51mm) pipe mount bases.

3/4" (19mm) NPT conduit pipe mounting or surface mounting in non-hazardous dust and weatherproof applications.

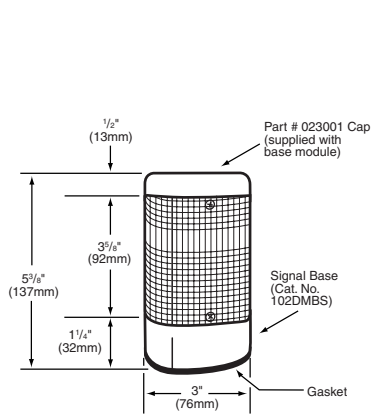
For indoor applications, may be vertically mounted with lenses facing up or down. For weatherproof installation, it is recommended that the unit be conduit mounted vertically with lenses facing up.

#### AGENCY APPROVALS

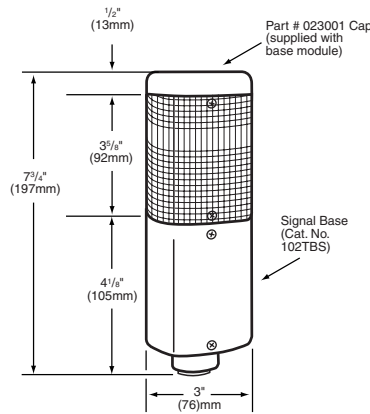
- > UL 1638 Listed
- > NEMA Type 3R, Type 4X and IP65 Rated
- > cUL Listed C22.2 No. 205



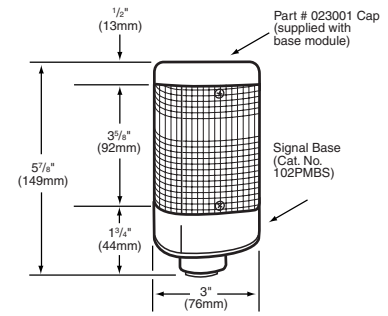
## TECHNICAL INFORMATION



Cat. No. 108ID Series



Cat. No. 108I Series &  
Cat. No. 108-DN Series



Cat. No. 108IP Series

Cat. No.	Mounting	LED Colors*	Voltage	Current	Lumen Ratings*
108I-RGA-N5	Pipe mount (w/tone module)	Red, Green, Amber	120V 50/60 Hz	.115A**	120,90,307
108I-RGA-G1		Red, Green, Amber	24V DC	.105A**	120,90,307
108I-RBA-N5		Red, Blue, Amber	120V 50/60 Hz	.115A**	120,90,307
108I-RBA-G1		Red, Blue, Amber	24V DC	.105A**	120,90,307
108IP-RGA-N5	Pipe mount (short base)	Red, Green, Amber	120V 50/60 Hz	.045A	120,90,307
108IP-RGA-G1		Red, Green, Amber	24V DC	.055A	120,90,307
108IP-RBA-N5		Red, Blue, Amber	120V 50/60 Hz	.045A	120,90,307
108IP-RBA-G1		Red, Blue, Amber	24V DC	.055A	120,90,307
108ID-RGA-N5	Direct mount	Red, Green, Amber	120V 50/60 Hz	.045A	120,90,307
108ID-RGA-G1		Red, Green, Amber	24V DC	.055A	120,90,307
108ID-RBA-N5		Red, Blue, Amber	120V 50/60 Hz	.045A	120,90,307
108ID-RBA-G1		Red, Blue, Amber	24V DC	.055A	120,90,307
108-DN-RGA-N5	Pipe mount (w/tone module) DeviceNet interface	Red, Green, Amber	120V 50/60 Hz	.115A**	120,90,307
108-DN-RGA-G1		Red, Green, Amber	24V DC	.105A**	120,90,307
108-DN-RBA-N5		Red, Blue, Amber	120V 50/60 Hz	.115A**	120,90,307
108-DN-RBA-G1		Red, Blue, Amber	24V DC	.105A**	120,90,307

\*Manufacturer's lumen ratings listed in same order as LED colors. LED light sources have a lamp life of 120,000 hours.

\*\*Includes tone module

## SIGNAL INPUT LOAD CHARACTERISTICS\*

Light Source Cat. No.	Operating Voltage	Max. off state leakage current (mA)	Continuous on Current (mA)	Surge (inrush/duration) Amps/milliseconds
108I-**-G1	24V DC	5	.105	0.24/0.2
108I-**-N5	120V AC	5	.115	0.35/0.2
108IP-**-G1	24V DC	5	.055	0.07/0.2
108IP-**-N5	120V AC	5	.045	0.10/8
108ID-**-G1	24V DC	5	.055	0.07/0.2
108ID-**-N5	120V AC	5	.045	0.10/8

\*This device is PLC compatible and may be operated by PLCs with output characteristics that match the input load requirements of this signal.

\*\*Letters in this position signify the colors of the LED clusters: RGA - red, green and amber or RBA - red, blue and amber.